

S.D Vidya Mandir City
A Unit of S.D Education Society (Regd.) Panipat
Affiliated to CBSE
Holidays Homework



Class-II

Dear Parents and children

Vacation is a welcome break!

So why not utilize this golden period for family reunion and reiterate your family ties with your kids and relatives. Gear up and utilize your time in the best possible manner. GO ahead with some unique fun with your kids. Let's cheer for 3R's- Rejuvenation, Relaxation and Rejoice!

Here are few tips for you to follow —

- Play simple games like ludo, chess, word building.
- Assign a permanent workplace and a work-time. This brings discipline in your life.
- Inculcate good manners — 4 magic words • Please, Thank you, Excuse me, Sorry— Use them and see the difference.
- Help your mother to keep the house clean. Do small household jobs like dusting, watering the plants, lay- dinner table and so on.
- Go out for morning walk, talk about things you see around.
- Keep your room clean and well organized.
- Do yoga or any other form of healthy activity during the vacation. Last but not the least — • Practice to speak in English with your family members and friends.

English

- Write 10 pages of writing in a separate English notebook to improve your handwriting.
- Do the given assignment carefully and up skill your communication skills.

Hindi

- प्राठ- 2 वर्णमाला तथा प्राठ- 13 गिनती 11 से 20 का अभ्यास कीजिए।
- मात्रा इ,ई उ,ऊ, ए,ऐ,ओ,औ रेफ़ ,पदेन ,आगत स्वर ,अनुस्वार ,अनुनासिक की दोहराई व अभ्यास कीजिए।
- 10 सुलेख अलग कॉपी में लिखिए।
- नैतिक मूल्यों या अच्छी आदतों पर एक कहानी याद कीजिए।

Maths

- Learn Number names (1 to 999)
- Learn Tables(2 to 8)
- Revise Sums of Addition
- Learn Counting (1 to 1400)
- Do the given assignment neatly

E.V.S

- Read lesson- 3 Family and Friends and prepare internals.
- Do the given assignment carefully

Note: 1.Label your Holiday Homework and submit it in a handmade folder, put in an eco-friendly paper bag made by you using old newspaper.

2. Revise the syllabus for all the subjects done till the month of May. Use separate notebooks for written work.

S.D VIDYA MANDIR CITY

A Unit of S.D Education Society (Regd.) Panipat

Affiliated to CBSE

Subject- English

Lesson -3(Internal)

Well Done, Polly!

Class-II

Name: _____ Class/Sec: _____ Admno. _____

Choose the correct options for the following questions given below:

Q1. Tick(✓) the correct spelling:

- | | | |
|--------------|---------------|---------------|
| i) pantual | ii) pnuatcul | iii) punctual |
| i) continued | ii) cantinued | iii) cnatuied |
| i) sorry | ii) sarry | iii) soary |
| i) please | ii) please | iii) please |
| i) exicted | ii) ecxited | iii) exicted |

Q2. Fill in the blanks:

- a) Ruth always managed to be punctual because she had an _____.
- b) Polly was late because she missed the _____.
- c) _____ quickly join the line .
- d) Two days later was Polly's _____.

Q3. Who said these words?

- a) "What happened today?" _____
- b) "Where is everybody, Sir?" _____
- c) "I like to be punctual." _____

Q4. Frame the sentences using the following words:

- a) friend- _____
- b) surprise - _____

Q5. Give answers in one word:

- a) Who was late in the class third time? _____
- b) What was the name of Polly's class teacher? _____
- c) Who was Polly's games teacher? _____

Q6: Unscramble the given words:

- a) rapdpew - _____
- b) yadreyes- _____
- c) reetged- _____
- d) pmiortnat- _____

Classroom Conversation

Let's complete effective conversation of general sentences to be used in classroom:

Teacher: Hello! Good Morning, everyone!

Students: _____

Teacher: How are you all doing today?

Students: We are _____

Teacher: That's wonderful! Let's start our lesson. Who can answer this question, what is the capital of India?

Student: Ma'am, may I _____. The capital of India is Delhi.

Teacher: That's right! Now, complete your work.

Student: Ma'am, I have _____

Teacher: Well Done!

Student: Ma'am, I forgot my pencil at home. May _____

Teacher: Sure! Who will read the chapter?

Student: Ma'am, _____

Student: Ma'am, he is teasing me _____

Teacher: Dear, don't disturb him. Sit nicely. Now, it's fruit break. Open your fruit box.

Student: Ma'am, may I share _____

Student: Ma'am, I am not feeling well, _____

Teacher: Yes, sure! Students I expect that in vacation you all converse in English?

Students: We have already _____. As we have got smart teachers indeed. Thank you!

S.D.VIDYA MANDIR CITY
 A Unit of Shri S.D.Education Society (Regd.) Panipat
 Affiliated to CBSE
HOLIDAYS' HOMEWORK-HINDI
 Class -II

Name- _____ Class/Sec. _____ Adm . No. _____ Roll No. _____

प्रश्न 1 रेलगाड़ी के डिब्बे पर स्वर और व्यंजन एक साथ लिखे हैं।उनमें से स्वर तथा व्यंजन वर्णों को अलग अलग करके हाथी और कछुए की पीठ पर लिखिए।

The train consists of four carriages with the following characters:

- Carriage 1: क, ऐ, ग
- Carriage 2: ड, ख, न
- Carriage 3: ओ, उ, त
- Carriage 4: ल, ई, ए

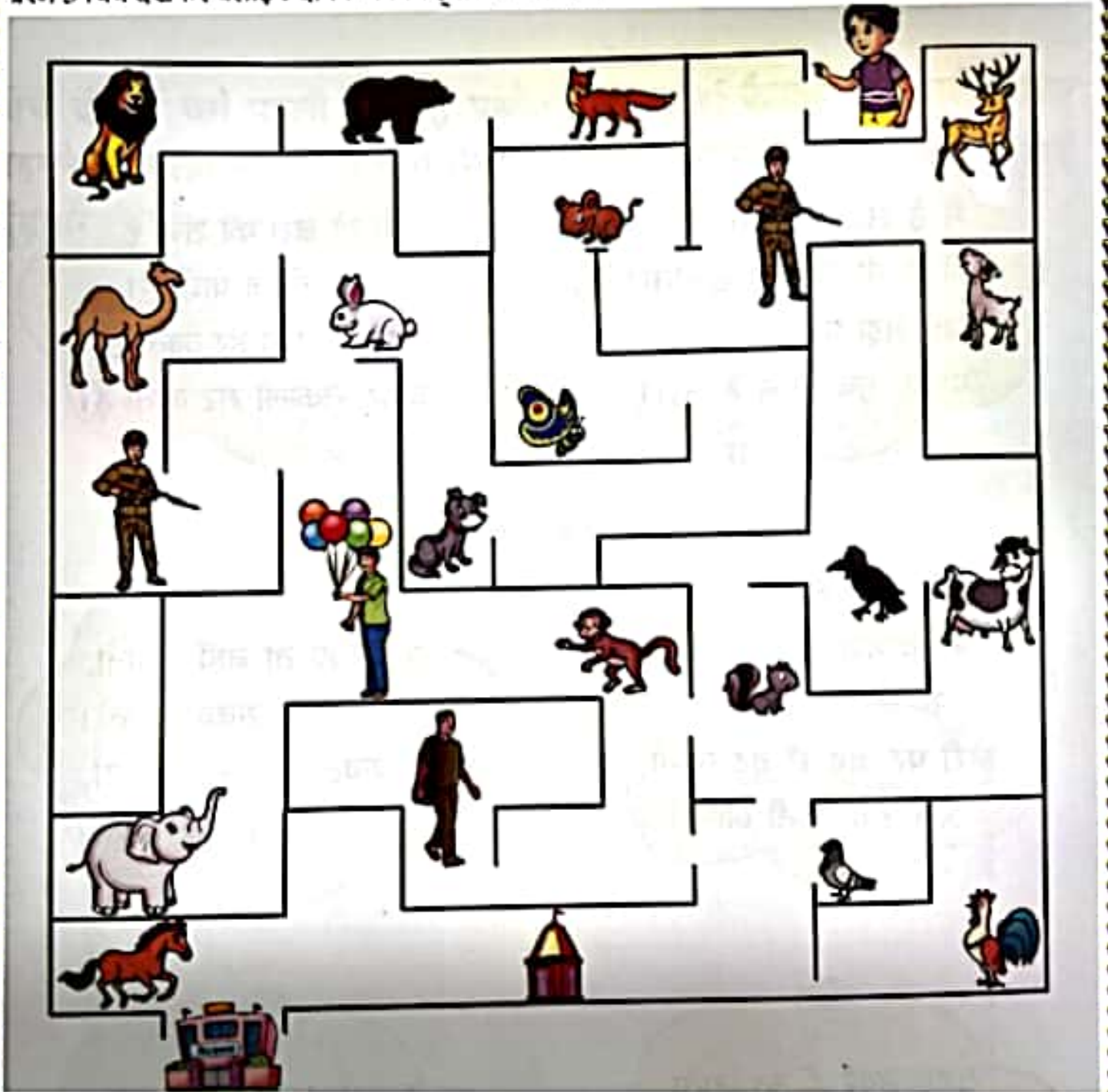
Below the train, there are two drawings:

- An elephant with the word 'स्वर' (Vowels) written on its forehead. Below the elephant are several horizontal lines for writing.
- A turtle with the word 'व्यंजन' (Consonants) written on its tongue. Below the turtle are several horizontal lines for writing.

प्रश्न 2 आप दस या बीस रुपये का नोट लीजिए। उसमें भारत की कितनी भाषाएँ लिखी हैं ? गिनकर बताइए।



प्रश्न 3 चित्र देखकर बताइए दीपक को विद्यालय जाते समय कौन-कौन मिले ?



प्रश्न 4

पोटली में से बिंदु/अनुस्वार और चंद्रबिंदु/अनुनासिक वाले शब्द चुनकर लिखिए-

बिंदु/अनुस्वार

चंद्रबिंदु/अनुनासिक



प्रश्न 5

दिए गए संयुक्ताक्षरों से दो-दो शब्द बनाइए।

1. क् + क = चक्का
क् + क = _____
2. स् + त = _____
स् + त = _____
3. स् + स = _____
स् + स = _____
4. ल् + ल = _____
ल् + ल = _____
5. च् + छ = _____
च् + छ = _____

प्रश्न 4

पोटली में से बिंदु/अनुस्वार और चंद्रबिंदु/अनुनासिक वाले शब्द चुनकर लिखिए-

बिंदु/अनुस्वार



चंद्रबिंदु/अनुनासिक

प्रश्न 5

दिए गए संयुक्ताक्षरों से दो-दो शब्द बनाइए।

1. क्क → क् + क = चक्का
 क्क → क् + क = _____
2. स्त → स् + त = _____
 स्त → स् + त = _____
3. स्स → स् + स = _____
 स्स → स् + स = _____
4. ल्ल → ल् + ल = _____
 ल्ल → ल् + ल = _____
5. च्छ → च् + छ = _____
 च्छ → च् + छ = _____

प्रश्न 6 नीचे लिखे गद्यांश को पढ़कर प्रश्नों के उत्तर लिखिए।

एक समय था जब गधे जंगल में ही रहते थे। वे सारा दिन घास-पत्ते खाते और आराम से पड़े रहते। एक लोमड़ी उनसे बहुत चिढ़ती थी। एक दिन लोमड़ी ने कहा कि मछलियों की बहुत बड़ी सेना तुम पर हमला करने आ रही है। बेचारे गधे डर गये। उन्होंने जंगल छोड़ने का फैसला कर लिया। वे जंगल छोड़कर नदी के किनारे बसे एक गाँव में पहुँचे। गधों ने नदी पर कपड़े धोते हुए धोबियों से पूछा कि हम गाँव में रह सकते हैं, तो उन्होंने कहा कि यदि तुम हमारे लिए काम करोगे तो तुम गाँव में रह सकते हो। उस समय से गधे धोबियों का बोझा ढोते आ रहे हैं।

प्रश्न (क) गधे कहाँ रहते थे ?

उत्तर - _____

प्रश्न (ख) गधों से कौन चिढ़ती थी ?

उत्तर - _____

प्रश्न (ग) गधे जंगल छोड़कर कहाँ पहुँचे ?

उत्तर - _____

प्रश्न (घ) उस समय से गधे किसका बोझा ढोते आ रहे हैं ?

उत्तर - _____

प्रश्न (ङ) निम्नलिखित शब्दों के विलोम शब्द लिखिए।

(क) शहर - _____ (ख) छोटी - _____

प्रश्न 8

नीचे दी गई मात्राओं के दो-दो शब्द बनाओ-

क.

।

.....

ख.

ु

.....

ग.

े

.....

घ.

े

.....

ङ.

े

.....

प्रश्न 9

सोचिए, समझिए और पूरा कीजिए।

एक
१

□

तीन
३

□

□

□

सात
७

□

नौ
९

□

ग्यारह
११

□

□

चौदह
१४

पंद्रह
१५

□

□

अठारह
१८

□

□

S.D.VIDYA MANDIR CITY

A Unit of Shri S.D. Education Society (Regd.) Panipat

Affiliated to CBSE

Holidays Homework Assignment

Class - 2 (Maths)

Name _____ Adm. No. _____ Class/Sec _____ Roll No. _____

Q.1 Write the number name of the following:

a) 547 -

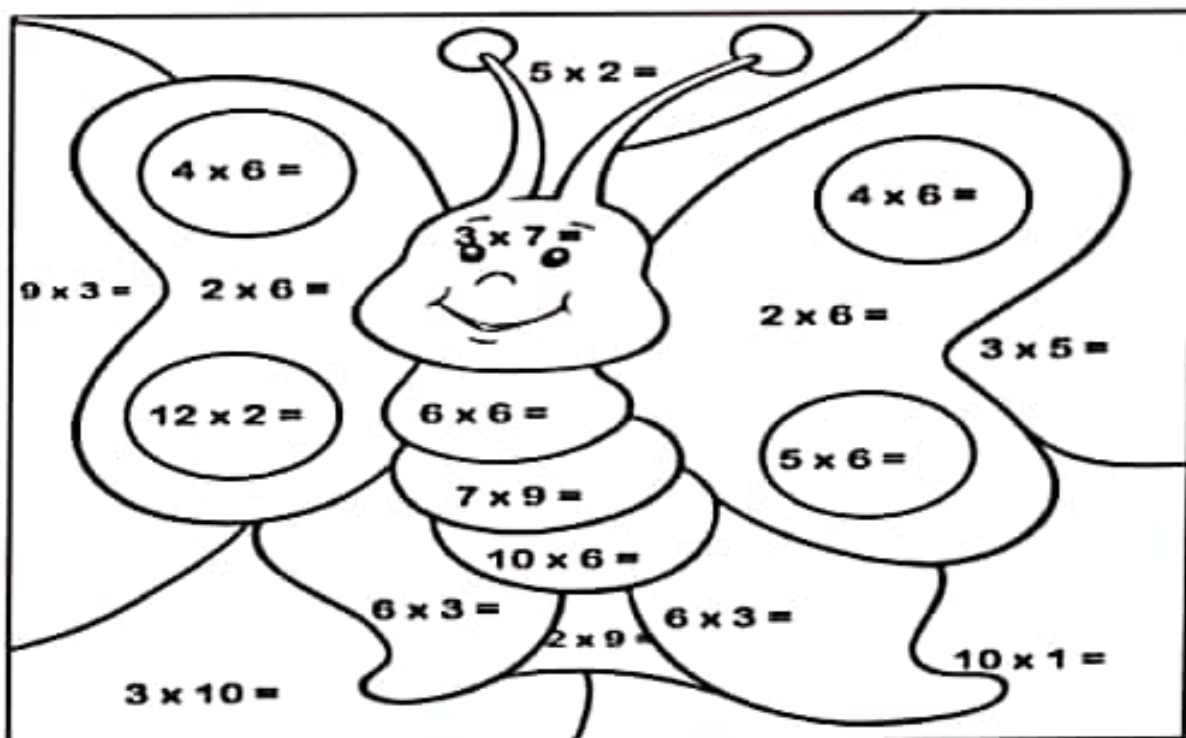
b) 382 -

c) 764 -

d) 403 -

e) 298 -

Q.2 Write the answer for each problem. Then colour according to the key at the bottom.



YELLOW 21, 24

RED 60, 10

ORANGE 30, 36

PINK 15, 27

GREEN 63, 18

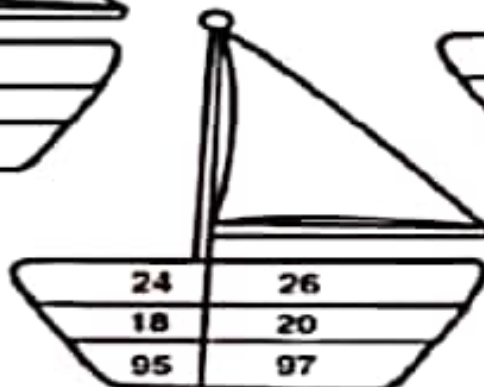
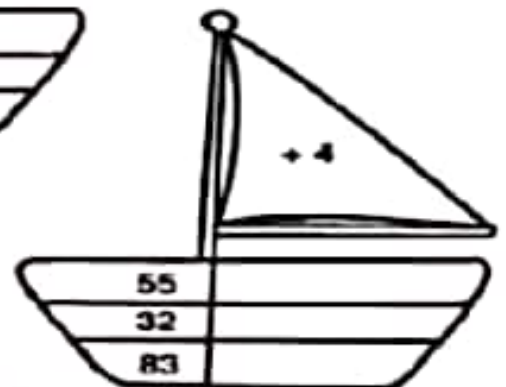
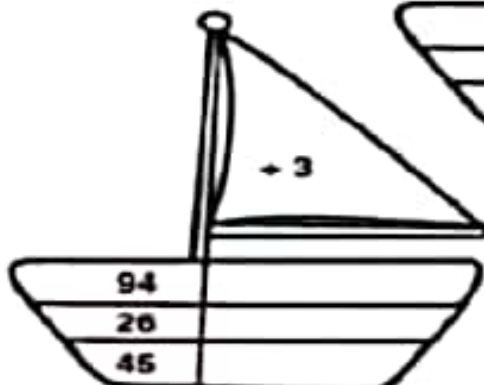
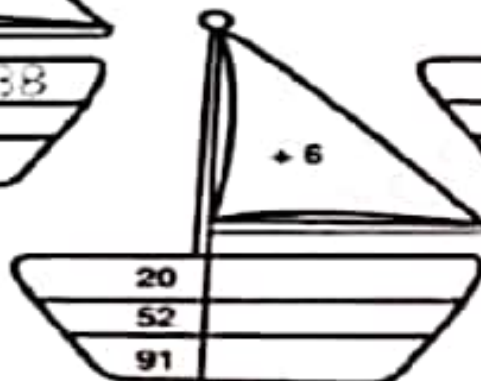
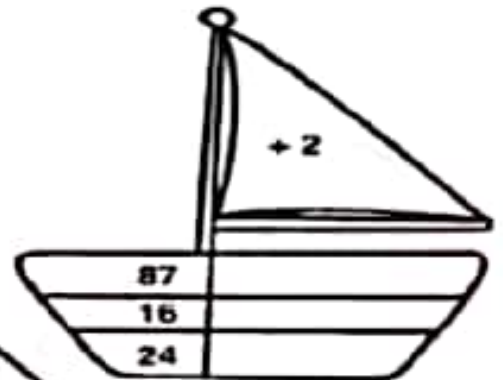
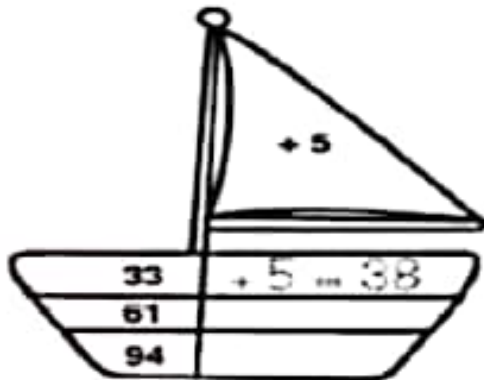
BLUE 12

www.complethomeworkhelper.com

Q.3 Fill in the blanks:

- a) When we add _____ to any number the answer will be next number.
- b) Addition means _____.
- c) We can change order of _____ the sum will remain same.
- d) When we add _____ to any number the answer will be same number.
- e) $46 + 23 =$ _____

Q.4 Add the following:



Puzzle Time

Q.5 Solve the puzzle

Adding Up!

Directions: Cut out the numbers at the bottom and glue them in each square to complete the math problem.

11	+		=	12
7	+		=	13
	+	4	=	14
11	+	4	=	
	+	2	=	16
10	6	14	1	15

Q.6

Solve the puzzle:

Use the numbers in the grid each time:

13	28	6	35	17
34	11	18	44	37
20	16	15	30	22

1. Find pairs of numbers that add up to 50 (Try finding 6 different pairs)
2. Find sets of 3 numbers that add up to make 50 (Try finding 3 different answers)

Creative corner

Q.7 Make a table book using available coloured sheets. Write Tables 2 to 12.

S. D. Vidya Mandir City Panipat
A UNIT OF SHRI S.D. EDUCATION SOCIETY (REGD.)
AFFILIATED TO CBSE

Subject- E.V.S (Class-2)
Holiday Homework Assignment

Q1. Fill in the blanks:-

- a) Family with only one parent is called _____.
- b) Parents of our parents are our _____.
- c) Nuclear family is a _____ family.
- d) Members of family _____ each other.
- e) We should spend some _____ with our grandparents
- f) Our brothers and sisters are called _____.
- g) You should say _____ when you do something wrong.

Q2-Correct the statement:-

- a) A family with uncle, ~~aunt, cousins~~ living together is a nuclear family.

- b) Children of uncle and aunt are called siblings.

- c) Our classmates are our family members.

- d) Joint family is a small family.

- e) There is only one parent in nuclear family.

Q3-Give answer in one word-

a) Who cares for you the ~~most~~ when you are sick?

b) Family having father, mother and children

c) What do you call your uncle's wife?

d) What do you call your uncle's daughter?

Q4- Guess who am I?

a) I gave birth to you. I am your _____.

b) I am your father's father. I am your _____.

c) I am your mother's sister. I am your _____.

d) I am the son of your father's brother. I am your _____.

e) I am your father's mother. I am your _____.

Q5.- Circle the odd ones.

grandfather

grandmother

father

custom

uncle

aunt

House

cousin

father

school

mother

sister

cousins

siblings

park

niece

E.V.S

Project Work: Take a printout of political map of India on A3 size sheet and highlight each state by pasting different articles (cereals, pulses, spice, stones etc)

S. D. VIDYA MANDIR CITY
A Unit of Shri S. D. Education Society (Regd.) Panipat
Affiliated to CBSE
Worksheet (2023-24)
Subject- Computer
Class-II

Q.1 Computer devices are divided into _____ parts?

Ans. Three

Q.2 How many keys are there on a keyboard?

Ans. 104.

Q.3 How many buttons are there on a mouse?

Ans. Two.

Q.4 Which part of computer do all the processing of a computer?

Ans. CPU

Q.5 Information displays on monitor is known as ____?

Ans. Soft copy.

Q.6 Which device is used to take printout?

Ans. Printer.

Q.7 Which device is used to record our voices?

Ans. Microphone.

Q.8 Printout on a paper is called ____?

Ans. Hard copy.

Q.9 What is the main storage device in a computer?

Ans. Hard disk.

Q.10 Which device is known as flash drive?

Ans. Pen drive

HOLIDAY's HOME WORK

CLASS-II

1.)SEA FISH(PAGE NO.12)

2.)GARDEN HOME(PAGE NO.8)

NOTE: DRAW AND COLOUR BOTH SCENES IN YOUR ART FILE.